



**Assembly, Installation, Operation and
Maintenance Instructions
A4 ALUMINUM STEP BAR**

**Part Number:
AL4020B**

60 - 180 minutes

Dealer / Installer: Provide a copy of these instructions to the end user of this product. These instructions provide important operating and safety information for proper usage of this product. Demonstrate the proper use of the product with the end user. Have the end user demonstrate that they understand the proper use of the product.

End User: Read and follow all instructions included in this manual. Ask your Dealer / Installer for assistance if you do not understand the proper use of the product. Never remove any decals from the product. Failure to follow these instructions can result in injury or death.

⚠️ WARNING ⚠️

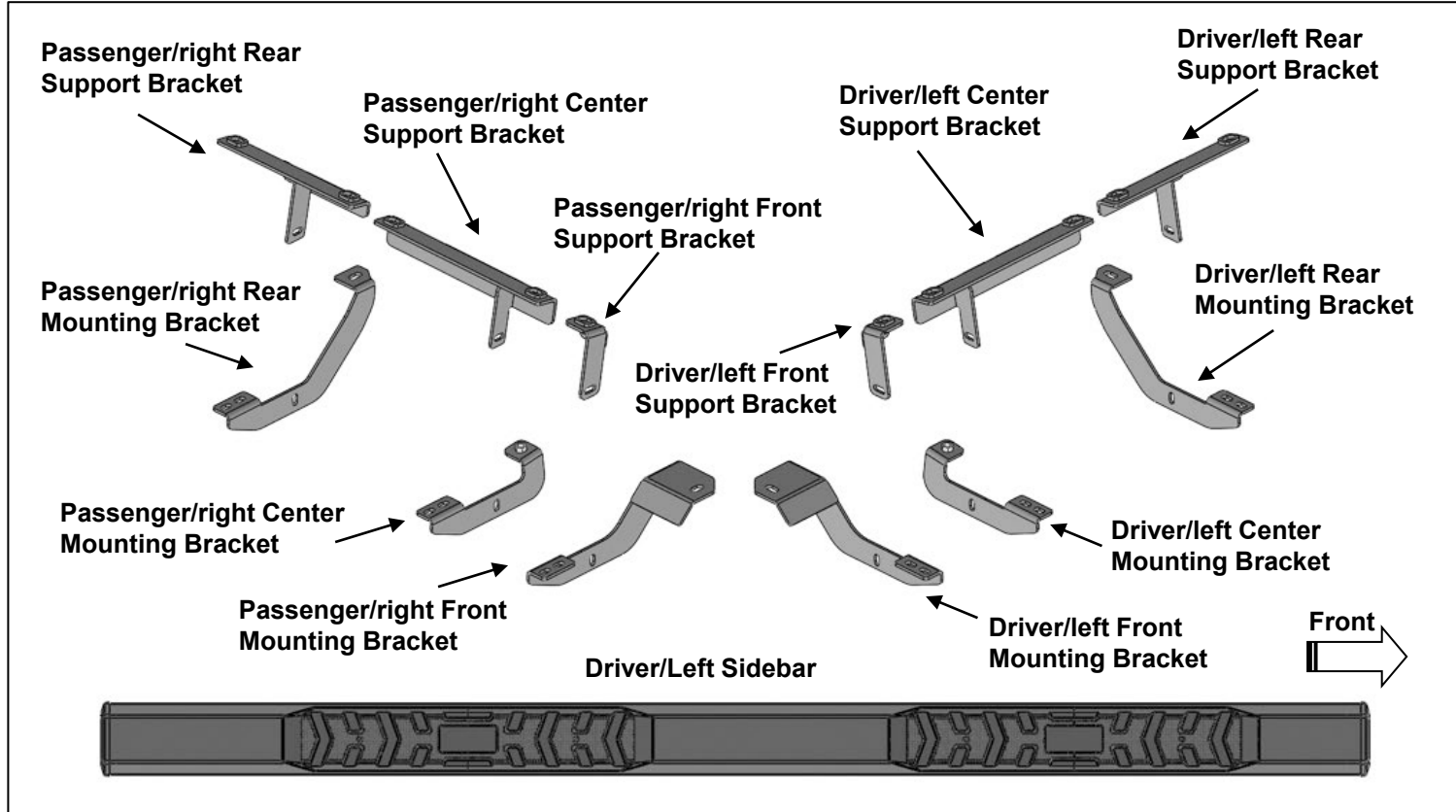
APPLICATION: 2022-2023 FORD MAVERICK

PARTS LIST

Qty	Part Description	Qty	Part Description
1	Driver/Left A4 Sidebar	2	10mm x 40mm Long Bolt Plates (front use)
1	Passenger/Right A4 Sidebar	2	10mm x 40mm Short Bolt Plates (rear use)
1	Driver/Left Front Sidebar Bracket	4	10mm Plastic Retainers
1	Passenger/Right Front Sidebar Bracket	2	10-1.5mm x 80mm Hex Bolts
1	Driver/Left Front Support Bracket	14	10mm x 27mm x 3mm Flat Washers
1	Passenger/Right Front Support Bracket	2	10mm x 20mm x 2mm Flat Washers
1	Driver/Left Center Sidebar Bracket	16	10mm Lock Washers
1	Passenger/Right Center Sidebar Bracket	16	10mm Hex Nuts
1	Driver/Left Center Support Bracket	2	8mm x 35mm Hex Nuts
1	Passenger/Right Center Support Bracket	12	8-1.25mm x 20mm T-Bolts
1	Driver/Left Rear Sidebar Bracket	6	8-1.25mm x 25mm Hex Bolts
1	Passenger/Right Rear Sidebar Bracket	26	8mm x 24mm x 2mm Flat Washers
1	Driver/Left Rear Support Bracket	20	8mm Lock Washers
1	Passenger/Right Rear Support Bracket	18	8mm Hex Nuts
2	Center Support Pads	2	8mm Nut Plates
10	10mm Spiral Bolts	2	Fish Wires

TORQUE SPECIFICATION

Size	Torque	Size	Torque
08 MM	20.0 ft/lbs	10 MM	34.5 ft/lbs



INSTALLATION PROCEDURE:

1. REMOVE CONTENTS FROM BOX. VERIFY ALL PARTS ARE PRESENT. READ INSTRUCTIONS CAREFULLY BEFORE STARTING INSTALLATION. CUTTING IS REQUIRED.
2. Starting from under the passenger/right side of the vehicle, locate the rectangular clips attaching the plastic rocker cover to the bottom of the body. Remove the second clip back from the front wheel opening, (Figures 1 & 2). Select (1) "S" Spiral Bolt. Insert the unthreaded end of the Bolt into the hole in the rocker panel, (Figure 3). Select the passenger/right front Support Bracket. Attach the Support Bracket to the "S" Bolt with (1) 10mm Flat Washer, (1) 10mm Lock Washer and (1) 10mm Hex Nut, (Figure 4). Snug but do not fully tighten hardware.
3. Hold the passenger/right front Mounting Bracket up to the bottom of the body, (Figure 5). Line up the outer hole in the Bracket with the hole in the Support Bracket. Line up the inner end of the Mounting Bracket with the oval hole in the floor. Use a marker or masking tape to trace the outline of the Mounting Bracket onto the plastic cover, (Figure 6).
4. Move to the center mounting location below where the front and rear doors meet, (Figure 7). Remove the (2) rectangular plastic clips.

For Non-Hybrid Models: Insert (2) Spiral Bolts into the holes. Attach the passenger/right Center Support Bracket to the Spiral Bolts with (2) 10mm Flat Washers, (2) 10mm Lock Washers and (2) 10mm Hex Nuts, (Figure 8A). Snug but do not fully tighten hardware.

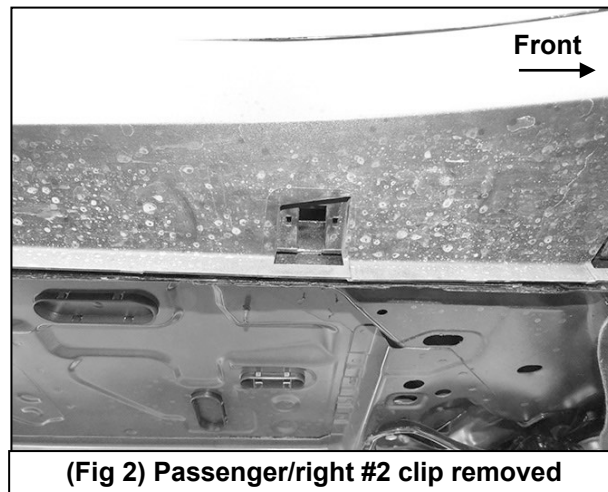
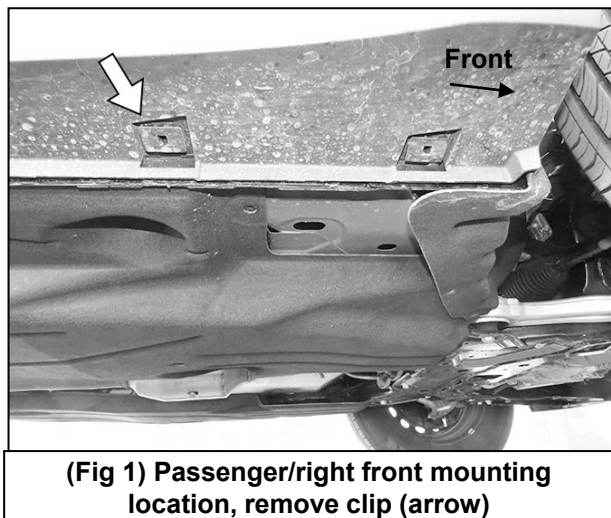
For Hybrid Models: Insert (2) Nut Plates into the holes. Attach the passenger/right Center Support Bracket to the Nut Plates with (2) 8mm Flat Washers, (2) 8mm Lock Washers and (2) 8mm Hex Bolts, (Figure 8B). Snug but do not fully tighten hardware.
5. Select (1) 10mm x 80mm Hex Bolt, (1) 10mm Hex Nut, (1) 10mm Lock Washer and (1) 10mm Small Flat Washer, (Figure 9). Thread the Hex Nut onto the Long Bolt. Slide the Lock Washer then the Flat Washer onto the Bolt. Thread the Bolt and Washers up and into the inner end on the center Mounting Bracket, (Figure 9). Hold the passenger/right center Mounting Bracket up to the bottom of the body. Line up the outer hole in the Bracket with the hole in the Support Bracket. Place (1) Center Support Pad onto the end of the Hex Bolt, (Figure 9). Use a marker or masking tape to trace the outline of the Support Pad onto the plastic cover, (Figure 10).
6. Continue along the passenger/right side to the last two clips, (Figure 11). Insert (2) "S" Bolts into the holes. Attach the passenger/right Rear Support Bracket to the "S" Bolts with (2) 10mm Flat Washers, (2) 10mm Lock Washers and (2) 10mm Hex Nuts, (Figure 12).

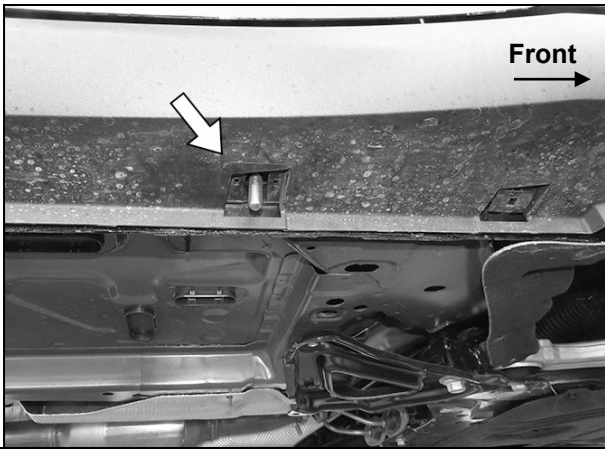
7. Hold the passenger/right rear Mounting Bracket up to the bottom of the body. Line up the outer hole in the Bracket with the hole in the Support Bracket. Line up the inner end of the Mounting Bracket with the hole in the floor. Use a marker or masking tape to trace the outline of the Mounting Bracket onto the plastic cover.
8. Remove the plastic cover from the bottom of the body. Use a hacksaw blade or sharp knife to cut out the marked areas. Once cut, partially reinstall the cover. Leave the front and rear of the cover loose.
9. Move to the front mounting location. Select the 10mm “Long” Bolt Plate, (Figure 13). Insert the Bolt Plate into the oval hole in the floor, (Figure 14). Thread (1) 10mm Plastic Retainer onto the Bolt Plate to help hold in place. Use is not mandatory for installation. Attach the passenger/right front Mounting Bracket to the Bolt Plate with (1) 10mm Flat Washer, (1) 10mm Lock Washer and (1) 10mm Hex Nut, (Figure 15). Attach the Mounting Bracket to the front facing side of the Support Bracket with the included (1) 8mm x 25mm Hex Bolt, (2) 8mm Flat Washers, (1) 8mm Lock Washer and (1) 8mm Hex Nut, (Figure 16). Do not fully tighten hardware.
10. Move to the center mounting location. Attach the Center Mounting Bracket to the rear facing side of the Center Support Bracket with the included (1) 8mm x 25mm Hex Bolt, (2) 8mm Flat Washers, (1) 8mm Lock Washer and (1) 8mm Hex Nut, (Figure 17). Tighten or loosen the long 10mm Hex Bolt with Center Support Pad until the Mounting Bracket is close to level and in line with the front and rear Brackets, (Figure 18). Leave hardware loose.
11. Continue to the rear mounting location. Thread (1) 10mm Fish Wire onto (1) 10mm “Short” Bolt Plate, (Figure 19). Insert Fish Wire and 10mm “Short” Bolt Plate into the square hole and down through the round hole in the floor, (Figures 20 & 21). Thread (1) 10mm Plastic Retainer onto the Bolt Plate to help hold in place. Use is not mandatory for installation. Attach the passenger/right Rear Mounting Bracket to the Bolt Plate with (1) 10mm Flat Washer, (1) 10mm Lock Washer and (1) 10mm Hex Nut, (Figure 22). Attach the Mounting Bracket to the rear facing side of the Support Bracket with the included (1) 8mm x 25mm Hex Bolt, (2) 8mm Flat Washers, (1) 8mm Lock Washer and (1) 8mm Hex Nut, (Figure 23). Do not fully tighten hardware.
12. Select the Passenger/right A4 Sidebar. Insert (6) T-Bolts into the channels in the bottom of the Sidebar, (3) per channel, (Figure 24). Attach the Sidebar to the Mounting Brackets with (6) 8mm Flat Washers, (6) 8mm Lock Washers and (6) 8mm Hex Nuts, (Figure 25). Do not tighten hardware.
13. Move to the center Mounting Bracket. Thread the 10mm Hex Bolt in or out to adjust the Bracket up to the Side Bar. Once properly adjusted, turn the Hex Bolt in (clockwise) 1/4-1/2 of a turn then tighten the 10mm Hex Nut on the Bolt against the Bracket to lock in place and tighten all hardware, (Figure 18).
14. Fully reattach plastic cover to floor.
15. Repeat Steps 2—15 for driver/left Sidebar installation.
16. Do periodic inspections to the installation to make sure that all hardware is secure and tight

*To protect your investment, wax this product after installing. Regular waxing is recommended to add a protective layer over the finish. Do not use any type of polish or wax that may contain abrasives that could damage the finish.
For gloss black finishes: Mild soap may be used to clean the Sidebars*

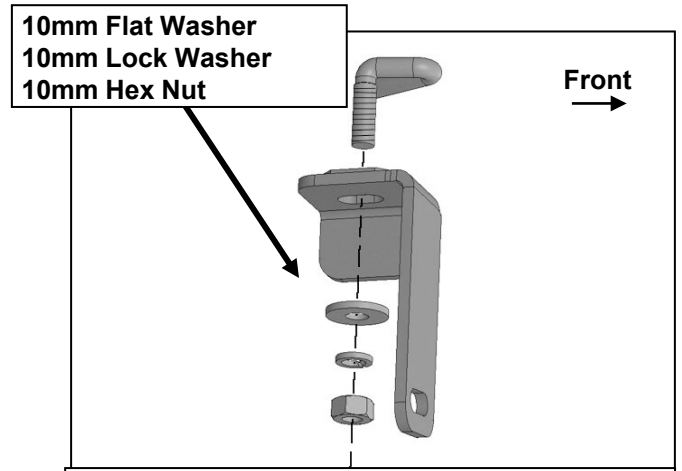
INSTALLATION IMAGES:

Passenger / Right Side Installation Pictured

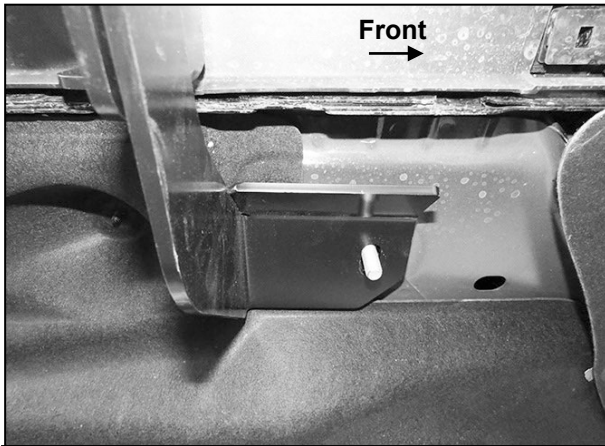




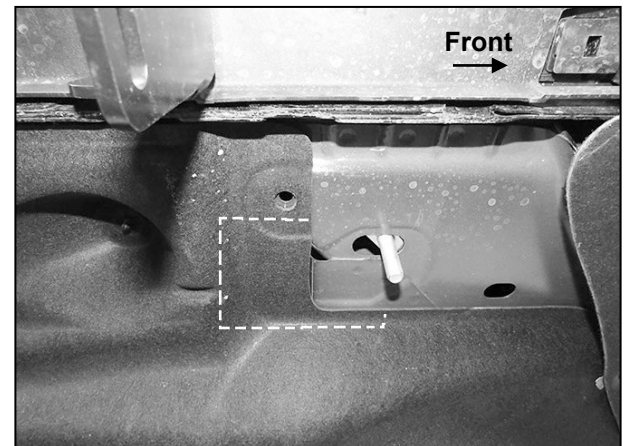
(Fig 3) Insert Spiral Bolt into opening after removing clip (arrow)



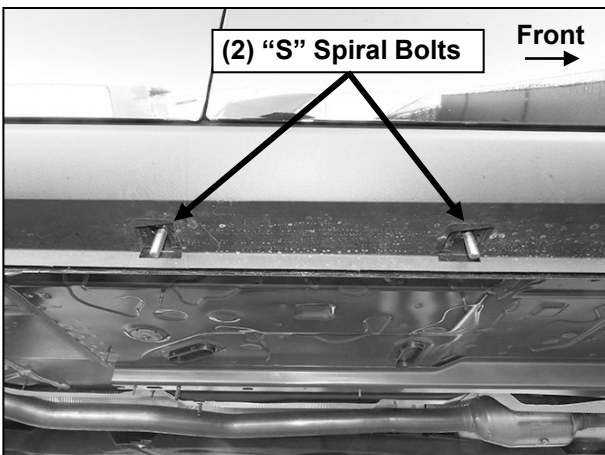
(Fig 4) Attach passenger/right front Support Bracket to Spiral Bolt



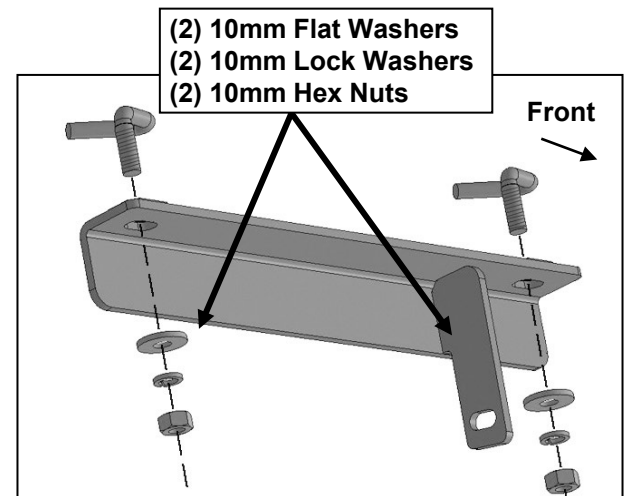
(Fig 5) Hold passenger/right front Bracket in place. Trace outline of Bracket onto cover



(Fig 6) Trace outline of passenger/right front Bracket onto cover

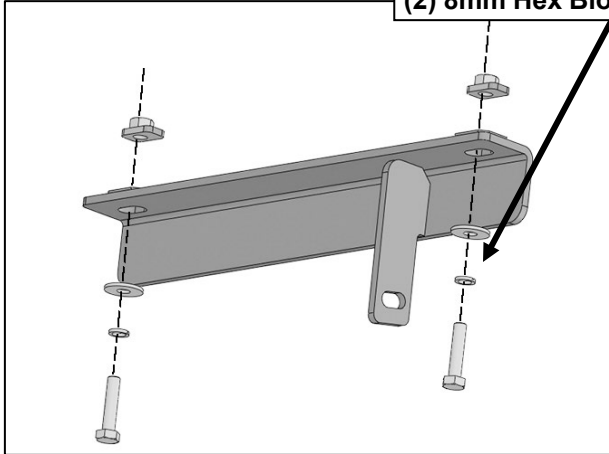


(Fig 7) Passenger/right center mounting location. Remove clips, insert Spiral Bolts. For Hybrid Models, insert (2) 8mm Nut Plates instead of the Spiral Bolts



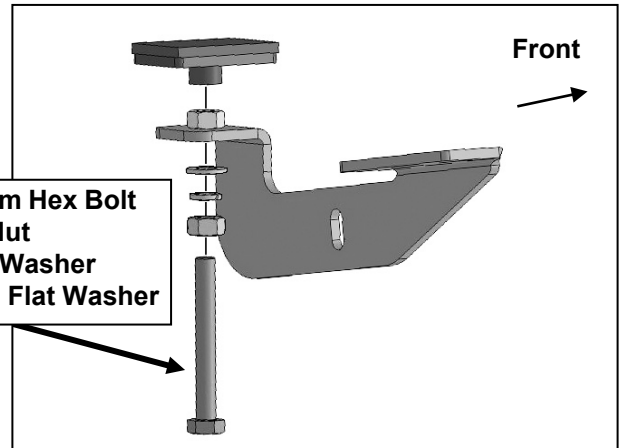
(Fig 8A) Attach passenger/right center Support Bracket to Spiral Bolts

- (2) 8mm Flat Washers
- (2) 8mm Lock Washers
- (2) 8mm Hex Bolts

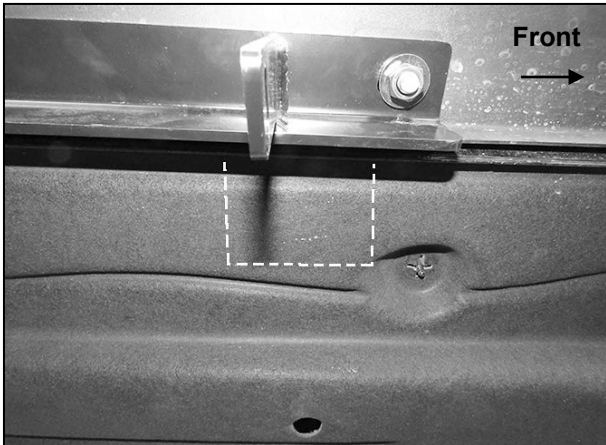


(Fig 8B) For Hybrid Models, attach passenger/right center Support Bracket the Nut Plates

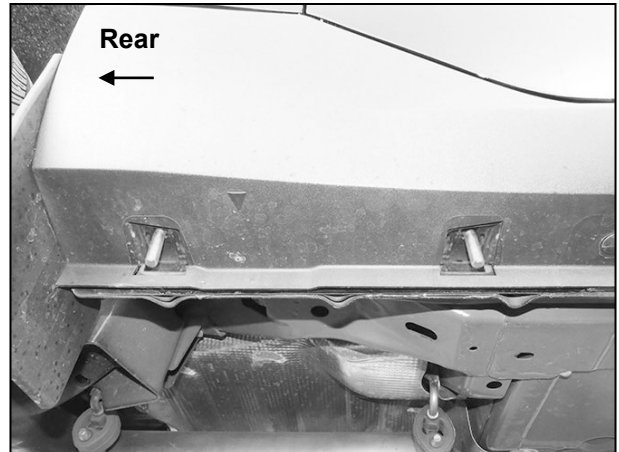
- 10mmx 80mm Hex Bolt
- 10mm Hex Nut
- 10mm Lock Washer
- 10mm Small Flat Washer



(Fig 9) Assemble passenger/right Center Mounting Bracket with Support Pad

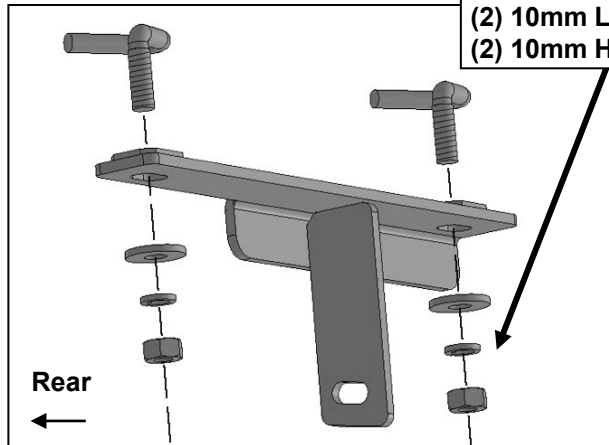


(Fig 10) Trace outline of passenger/right center Bracket Support Pad onto cover

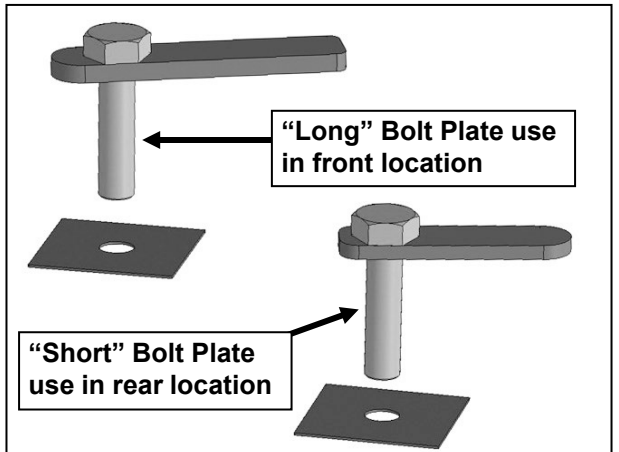


(Fig 11) Passenger/right rear mounting location. Remove clips, insert "S" Bolts

- (2) 10mm Flat Washers
- (2) 10mm Lock Washers
- (2) 10mm Hex Nuts



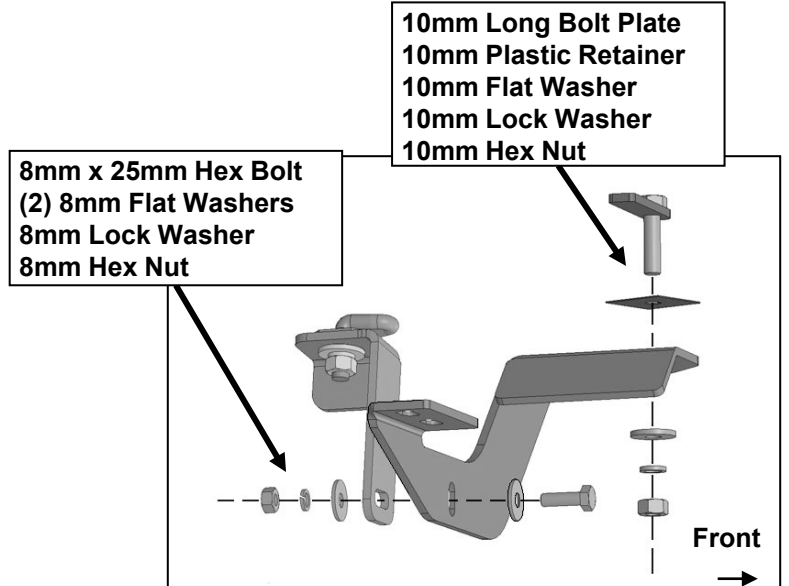
(Fig 12) Attach passenger/right Rear Support Bracket to Spiral Bolts



(Fig 13) Long and Short Bolt Plates with Plastic Retainers (retainer use optional)



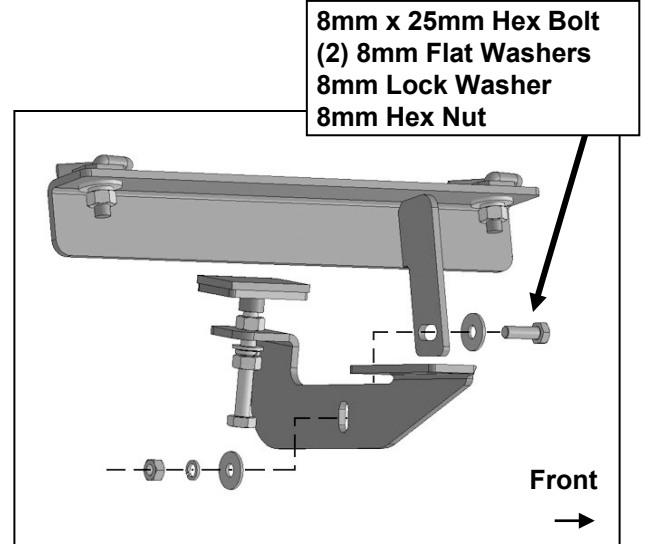
(Fig 14) Insert "Long" Bolt Plate into oval hole in front floor location (arrow)



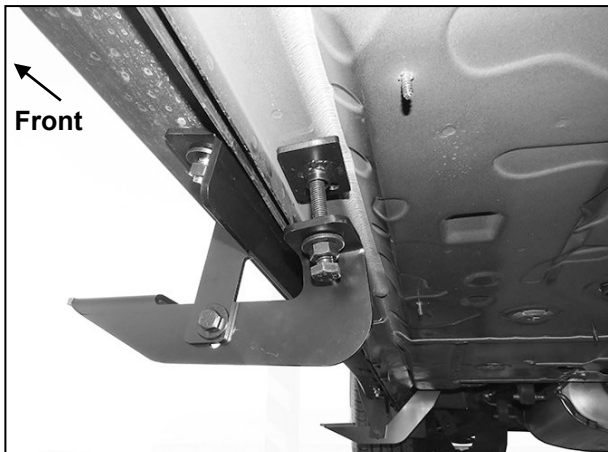
(Fig 15) Attach passenger/right Mounting Bracket to Bolt Plate and front of Support Bracket



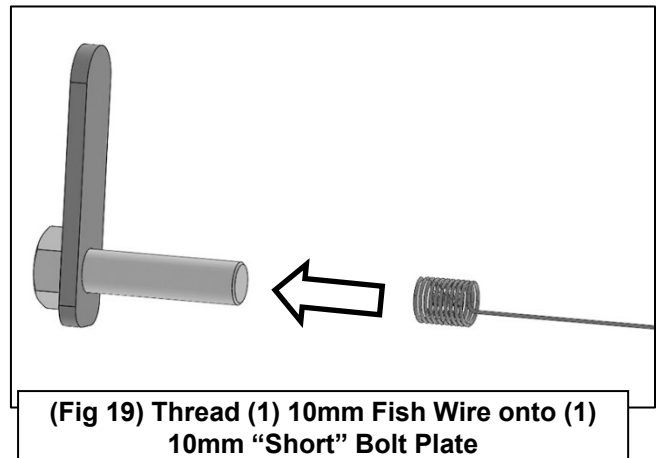
(Fig 16) Passenger/right front Mounting Brackets installed



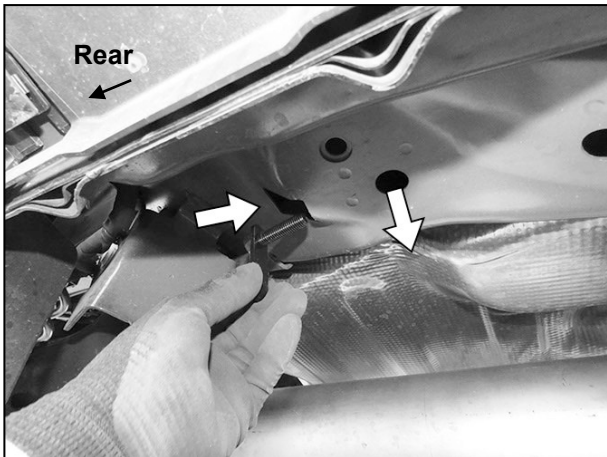
(Fig 17) Attach passenger/right center Mounting Bracket to back of Support Bracket



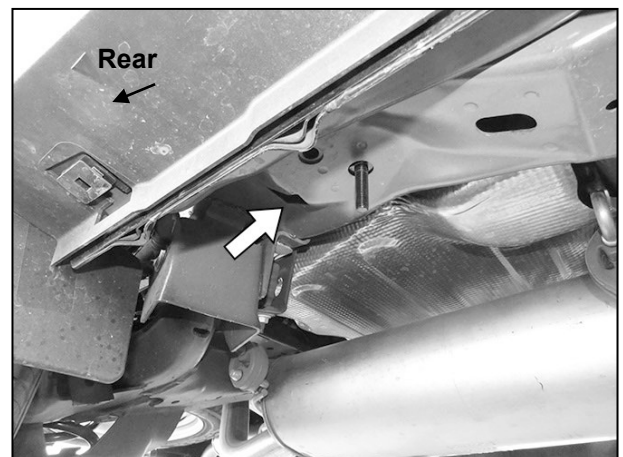
(Fig 18) Passenger/right center Mounting Bracket and Support Bracket installed



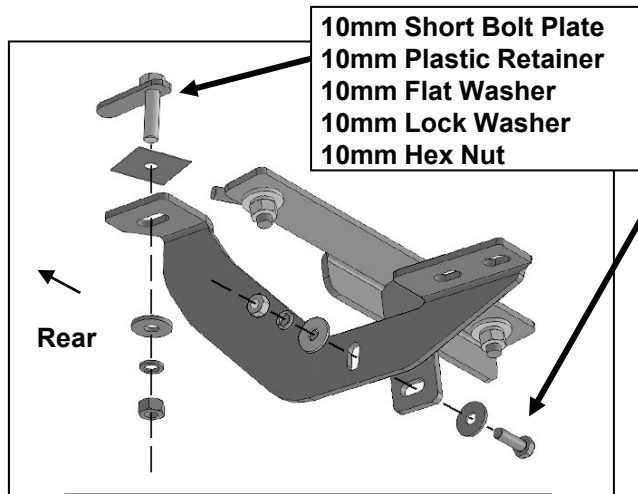
(Fig 19) Thread (1) 10mm Fish Wire onto (1) 10mm "Short" Bolt Plate



(Fig 20) Insert the Fish Wire and “Short” Bolt Plate assembly into square hole and down through floor (arrow)



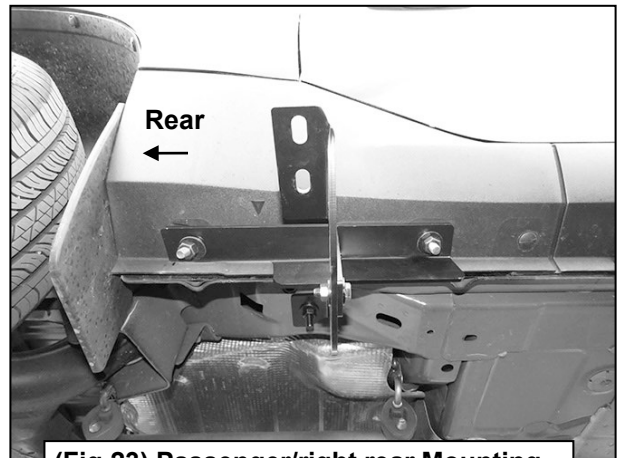
(Fig 21) “Short” Bolt Plate installed (arrow)



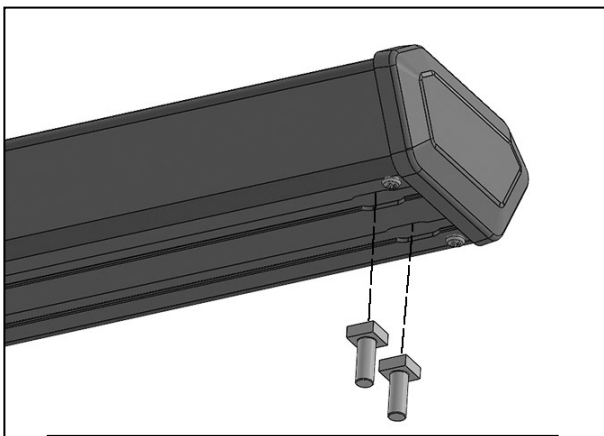
- 10mm Short Bolt Plate
- 10mm Plastic Retainer
- 10mm Flat Washer
- 10mm Lock Washer
- 10mm Hex Nut

- 8mm x 25mm Hex Bolt
- (2) 8mm Flat Washers
- 8mm Lock Washer
- 8mm Hex Nut

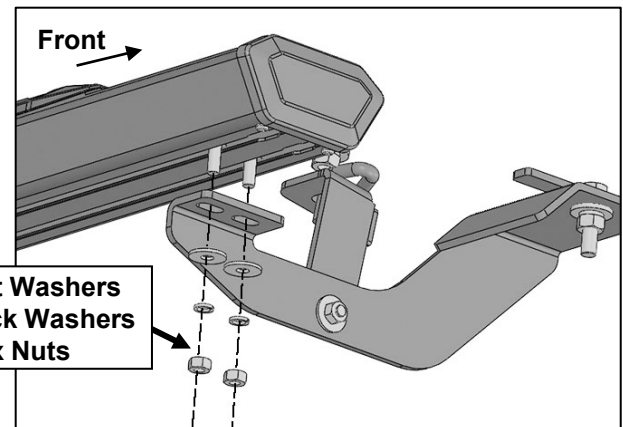
(Fig 22) Attach passenger/right rear Mounting Bracket to Bolt Plate and back of Support Bracket



(Fig 23) Passenger/right rear Mounting Bracket and Support Bracket installed



(Fig 24) Insert (6) T-Bolts into the bottom of the Sidebar, (3) per channel



- (2) 8mm Flat Washers
- (2) 8mm Lock Washers
- (2) 8mm Hex Nuts

(Fig 25) Attach passenger/right Sidebar to Mounting Brackets

PRODUCT CARE

- Periodically check the product to ensure all fasteners are tight and components are intact.
- Regular waxing is recommended to protect the finish of the product.
- Use **ONLY** Non-Abrasive automotive wax. Use of any soap, polish or wax that contains an abrasive is detrimental and can scratch the finish leading to corrosion.
- Mild soap may be used to clean the product for Black finish.

FAQ's

1. Hardware and mounting brackets are not aligning properly

Ensure that hardware is being used on the correct side of vehicle. In some cases, the hardware may appear the same for driver and passenger side but may alter the alignment of mounting location. Check mounting brackets for both sides.

2. Products are thumping / rattling after Installation

Ensure that all required mounting brackets / hardware's are installed & tightened correctly.

Suggest using white Lithium / regular grease between metal-to-metal contact.

3. Missing / Excess Hardware

Recheck hardware count as per the part list.

4. Product not installing properly

Ensure the Year / Make / Model as well as cab and bed dimensions are correct for the application. Review all steps for installation to ensure they were followed correctly.

5. Who should be contacted for questions regarding product / installation assistance?

www.trailfx.com / support@trailfx.com or 1-(866) 638-4870

Warranty Terms:

Black Powder Coated:

Limited Lifetime Warranty

TrailFX and Keystone Automotive Operations Inc. make no guarantees or warranties for products not manufactured by Keystone Automotive Operations Inc. Such products are covered solely under any applicable warranty of the manufacturer. It is always recommended that the operating instructions and warranty instructions provided by the manufacturer are followed.

Keystone Automotive Operations Inc. warrants its products to be free from manufacturing and material defects to the original purchaser for the length of warranty stated above from the date of retail purchase. If any products are found to have a manufacturing or material defect, the product will be replaced or repaired at the option of TrailFX and Keystone Automotive Operations Inc. with proof of purchase by the original purchaser. The original purchaser shall pay all transportation and shipping costs associated with the return of the defective product and the defective product shall become the property of Keystone Automotive Operations Inc.

The Warranty applies to Keystone Automotive Operations Inc. products used for individual and recreational purposes. Commercial usage of the Keystone Automotive Operations Inc. products limits the warranty to 90-days from date of purchase.

The Warranty applies only to Keystone Automotive Operations Inc. products which are found to be defective in manufacturing or material. This warranty does not apply to normal wear and tear of the finish placed on Keystone Automotive Operations Inc. products.

TrailFX and Keystone Automotive Operations Inc. are not responsible for any labor costs incurred for removal or replacement of the defective product.

TrailFX and Keystone Automotive Operations Inc. are not responsible for repair or replacement of any product under the limited warranty where the product was improperly installed, misapplied, altered, abused, neglected, overloaded, misused or damaged as a result of an accident, including any use of the product not in accordance with all product operating and safety instructions.

Without limiting the generality of the foregoing, TrailFX and Keystone Automotive Operations Inc. shall under no circumstances be liable for any incidental or consequential loss or damage whatsoever arising out of, or in any way relating to any such breach of warranty or claimed defect in, or non-performance of the products. Some states do not allow the exclusion or limitation of incidental or consequential damages, so the above exclusion or limitation may not apply to you.

This limited warranty gives you specific legal rights, and you may also have other rights that vary from state to state.